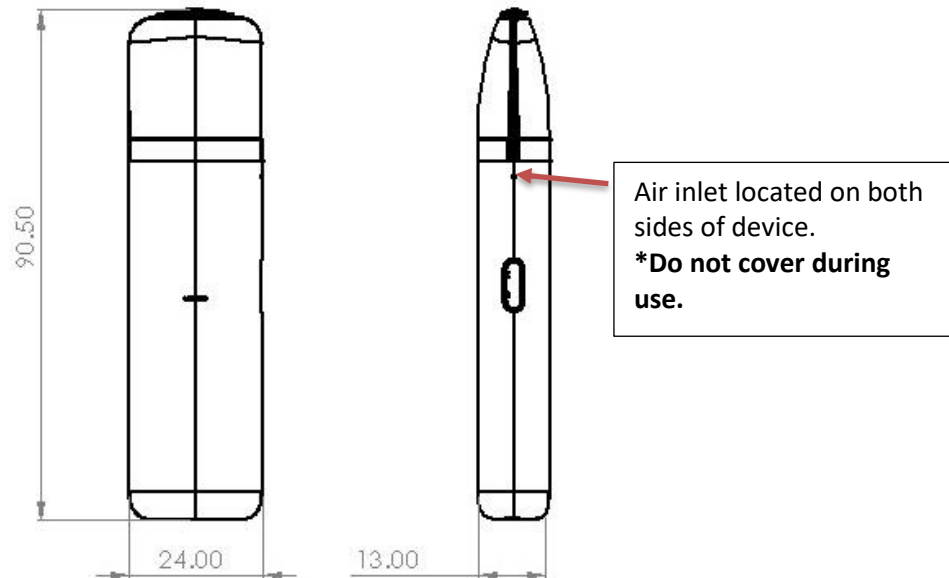

		DOCUMENT NO:	CDS-LX3928-655XXXX	VER:	1.0
		Rosin Bar			EFFECTIVE DATE:
APPROVAL:	ECO-331	Jupiter PN(s):	LX3928-655XXXX	PAGE 1 OF 5	




Description:

- Inhale activated
- THC and terpene partitioned atomization
- 280 mAh Li-ion battery cell
- Two clog-free/burnt flavor-free oil pathways
- Isolated Airway for cleaner vapor and enhanced safety
- Full metal housing
- Food-grade wetted materials
- USB-C charging port
- Operational viscosity up to 1,000,000cps
- Available for customization


	DOCUMENT NO:	CDS-LX3928-655XXXX	VER:	1.0
	Rosin Bar			EFFECTIVE DATE: 2/26/2024
APPROVAL:	ECO-331	Jupiter PN(s):	LX3928-655XXXX	PAGE 2 OF 5

Specifications		
Internal Volume	Gross	0.5mL
	Max. fill volume	0.5mL
Weight, empty with or with Mouthpiece	23g	
Output Voltage	3.2V	
Resistance	2.0ohms	
Activation Time	0-10s; Other time durations available by request	
Fluid Inlets	2*1.3mm direct to atomizer apertures optimized for Rosin saturation	
Viscosity Range	Optimally used for fully decarbed rosin up to 200,000cps; can be used with oils up to 1,000,000cps @ 25°C [77°F]	
Wetted Materials	Fluid Housing	ETP (Engineering Thermoplastic)
	Mouthpiece	ETP
	Airway	ETP
	Heating element	NiCr
	Atomizer/Wick	CCCELL HERO, Stainless Steel/Polymer Composite
	Seals	Silicone
	Battery Housing	Aluminum
Battery Cell Capacity	280mAh	
Max. Current Output	3A	
Safety Features	Short-Circuit Protection	When the resistance of loading less than 0.4(±0.2)Ω, power will turn off. The LED keep shining 2 seconds then turn off.
	Over-Usage Protection	When Any time suctioning lasts for more than 10(±2)S, the power will cut off, and the LED will flash two times then turn off
Low Battery Indication	LED flashes 10 X	

	DOCUMENT NO:	CDS-LX3928-655XXXX	VER:	1.0
	Rosin Bar			EFFECTIVE DATE: 2/26/2024
APPROVAL:	ECO-331	Jupiter PN(s):	LX3928-655XXXX	PAGE 3 OF 5

Branding Options	Available with MOQ.		
Assembly force recommendation	22 – 45lbf [100-200N]		
Charging Function	<p>LED will be constantly on during charging.</p> <p>When disconnected from the charger the LED will blink 3 times and then extinguish.</p> <p>When the battery is fully charged the LED will turn off.</p>		
Operating Temperature and Humidity	<ul style="list-style-type: none"> ○ Charging Temperature: 10 °C to 45°C ○ Working Temperature: 0 °C to 60 °C ○ Operating humidity: 35% to 70% 		
Storage Temperature and Humidity	<ul style="list-style-type: none"> ○ Storage Temperature: 23 ± 5 °C ○ Storage Humidity: 35% to 70% 		
Safety Certifications	<ul style="list-style-type: none"> ○ RoHS ○ CE ○ FCC 		
Part Number Legend – LX3928-655XXXX			
<ul style="list-style-type: none"> • Mouthpiece – LX9000-655XXXX 	<ul style="list-style-type: none"> • Standard Packaging – 5x10 Foam, “-F” suffix • LX4000-65600 – 5x10 Device foam tray • LX4000-65700 – 5x10 MP foam tray 		


**XXXX digits denote product branding*

		DOCUMENT NO:	CDS-LX3928-655XXXX	VER:	1.0
		Rosin Bar			EFFECTIVE DATE:
APPROVAL:	ECO-331	Jupiter PN(s):	LX3928-655XXXX	PAGE 4 OF 5	

Rosin Bar Filling instructions

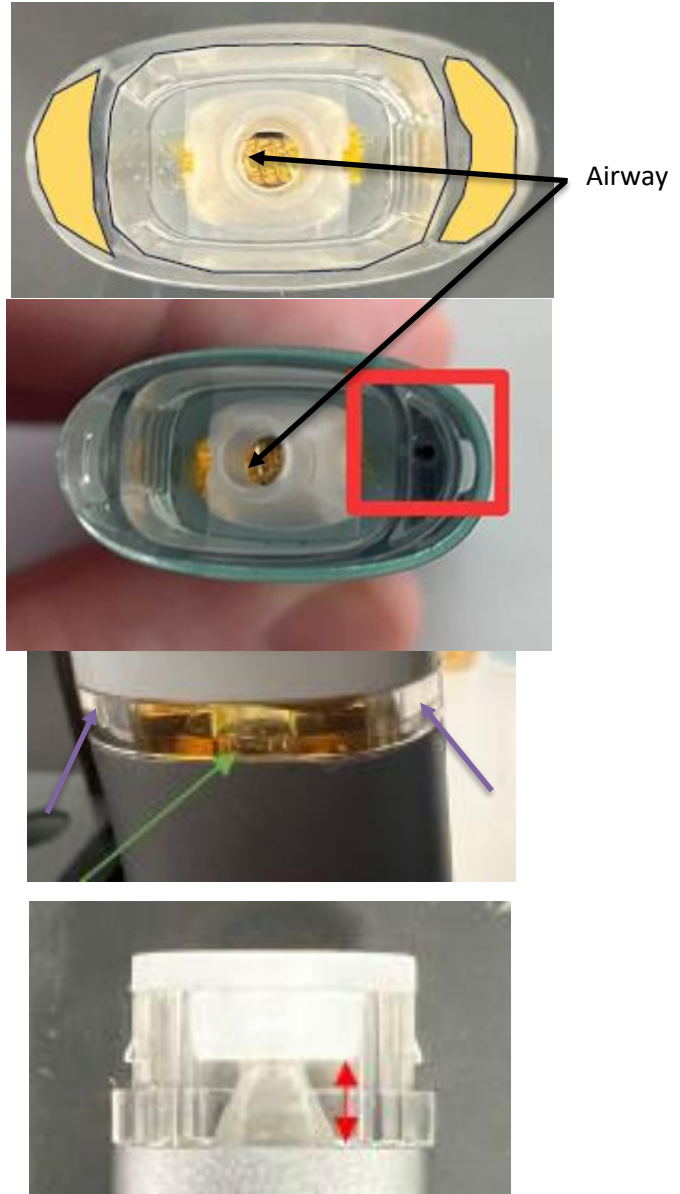
- Place pre-loaded tray onto baseboard and deflector over it to prepare for machine filling.
- Insert a blunt tipped needle between the airway and reservoir. Holding upright, fill 0.5ml oil into space around center post. Be sure to fill evenly around the airway.
*Do NOT overfill past 0.5mL as oil will overflow and cause clogging.
*Do NOT allow oil to enter airway
- Check if the silicon sealing ring is set in place properly.
- Immediately after filling, place pre-loaded mouthpiece tray over defelctor and press. If manually filling, place mouthpiece on top of the body aligned with reservoir horizontally and press/twist with recommended force/torque into position. Provide brief description of equipment to be used.
*Failure to insert the mouthpiece immediately may cause leakage. It is recommended to insert the mouthpiece in less than 1 minute after filling, but this will change based on oil viscosity.
- Check if mouthpiece is pressed in completely and properly. Keep the filled device up right and wait 24 hours before using it.
*Saturation time will change based on oil viscosity. Recommended to use decarb rosin oil for filling.
- If during transportation, the carts will be subjected to a noticeable temperature and/or pressure change, the cartridges should be shipped upside-down or with at least 1 inlet exposed .



		DOCUMENT NO:	CDS-LX3928-655XXXX	VER:	1.0
		Rosin Bar			EFFECTIVE DATE:
APPROVAL:	ECO-331	Jupiter PN(s):	LX3928-655XXXX	PAGE 5 OF 5	

Single Filling Notes:

1. Ensure to fill in between atmozier and side compartments, also referred to as isolated airways. Do not fill into side compartments (marked in yellow color or red square in the picture below).
2. Press the cap (mouthpiece) on, confirm that there are no obvious gaps between the cap, oil tank, and metal body.
*Make sure no excessive oil got pushed into sides (purple arrows).
*Check the conditions of the heater through the oil chamber (see green arrow).
When you see the cotton color turns dark brown/ darker than the original color of the cotton, it is ready to use.
3. Rosin bar capacity is 0.5ml. The oil chamber is larger than 0.5ml and a silicone gasket is used to reduce the volume (see red arrows). If overfilled, excess oil may get into the secondary airway (see yellow area, red square, and purple arrows).



For Technical Assistance please contact us at:
 CS@JupiterResearch.com