
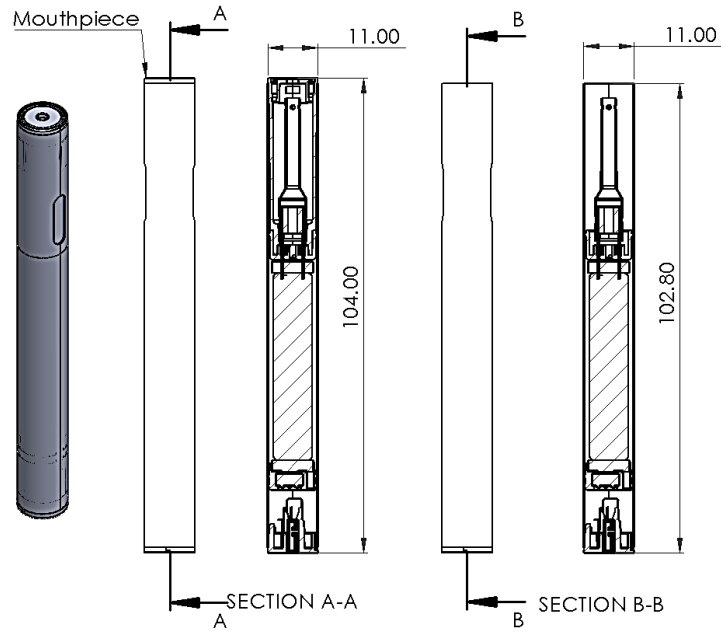
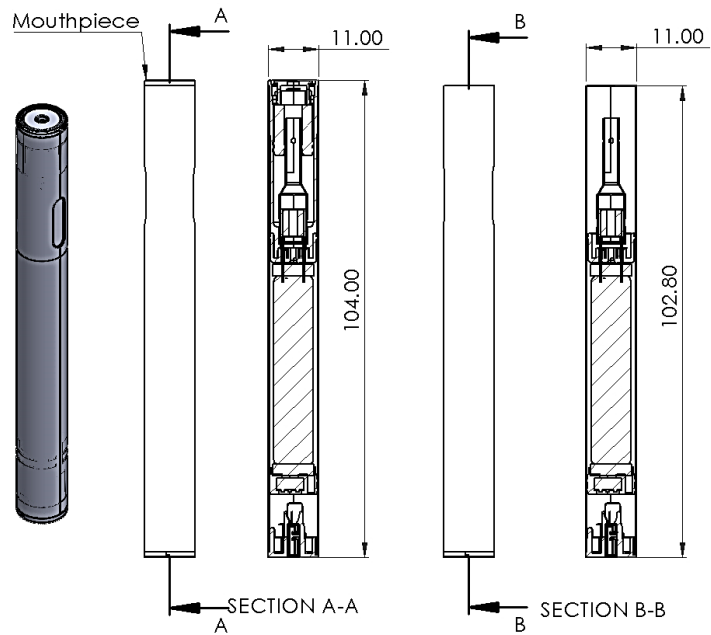



|   |                         |                    |                        |                 |
|---|-------------------------|--------------------|------------------------|-----------------|
|  | DOCUMENT NO:            | CDS-LX3218-nnnXXXX | VER:                   | 1.0             |
|   | Skye II (LX) Disposable |                    |                        | EFFECTIVE DATE: |
| APPROVAL:   | ECO-254                 | Jupiter PN(s):     | See part number legend | PAGE 1 OF 4     |



1.0ml



0.5ml


|   |                         |                    |                        |                 |
|---|-------------------------|--------------------|------------------------|-----------------|
|  | DOCUMENT NO:            | CDS-LX3218-nnnXXXX | VER:                   | 1.0             |
|   | Skye II (LX) Disposable |                    |                        | EFFECTIVE DATE: |
| APPROVAL:   | ECO-254                 | Jupiter PN(s):     | See part number legend | PAGE 2 OF 4     |

**Description:** All-in-one disposable vape pen, top fill cartridge design


**Features:**

- CCELL Technology atomizer – heating element embedded in porous ceramic
- Breath actuated
- 180 mAh Li-ion battery cell
- Crushproof SS cartridge housing
- Tamper resistant press-fit mouthpiece
- Operational viscosity ranges from 1,000 - 700,000 cPs @ 25°C [77°F]
- Available in varying powers and fluid inlet sizes to customize vapor feel and taste

| Specifications                |  |                                  |
|-------------------------------|--|----------------------------------|
| Internal Volume               | Gross  | 0.5ml and 1.0ml                  |
|                               | Max. fill volume   | 0.5ml and 1.0ml                  |
| Weight, empty with Mouthpiece | 15g  |                                  |
| Power                         | Standard power is 9W(3.5V & 1.4ohm),<br>Other options available by request, see part number legend |                                  |
| Activation Time               | 0-10s;<br>Other time durations available by request  |                                  |
| Fluid Inlet Diameter          | Standard inlet diameter is 2.0mm;<br>See part number legend for possible order variations.         |                                  |
| Viscosity Range               | 1,000 - 700,000 cPs @ 25°C [77°F]  |                                  |
| Wetted Materials              | Fluid Housing  | Eng. Thermoplastic (proprietary) |
|                               | Mouthpiece   | Eng. Thermoplastic (proprietary) |
|                               | Airway, atomizer shell and base  | Stainless Steel (SS)             |
|                               | Heating element  | Nichrome                         |

|   |                         |                    |                        |                 |
|---|-------------------------|--------------------|------------------------|-----------------|
|  | DOCUMENT NO:            | CDS-LX3218-nnnXXXX | VER:                   | 1.0             |
|   | Skye II (LX) Disposable |                    |                        | EFFECTIVE DATE: |
| APPROVAL:   | ECO-254                 | Jupiter PN(s):     | See part number legend | PAGE 3 OF 4     |

|                                    |  |  |
|------------------------------------|--|--|
|                                    | Wick   | Ceramic  |
|                                    | Atomizer retaining wrap  | Cellulose  |
|                                    | Seals  | Silicone   |
|                                    | Battery Housing  | Stainless Steel (SS)   |
| Battery Cell Capacity              | 180 mAh Li-ion   |  |
| Max. Current Output                | 3 A  |  |
| Safety Features                    | Short-Circuit Protection   | When the resistance of loading less than $0.4(\pm 0.2)\Omega$ , power will turn off. The LED keep shining 2 seconds then turn off. |
|                                    | Over-Usage Protection  | When Any time suctioning lasts for more than $10(\pm 2)S$ , the power will cut off, and the LED flash two times then turn off.     |
| Low Battery Indication             | LED flashes 10 X   |  |
| Branding Options                   | Available with MOQ   |  |
| Operating Temperature and Humidity | <ul style="list-style-type: none"> <li>○ Charging Temperature: 10°C to 45°C</li> <li>○ Working Temperature: 0°C to 60°C</li> <li>○ Operating humidity: 35% to 70%</li> </ul> |  |
| Storage Temperature and Humidity   | <ul style="list-style-type: none"> <li>○ Storage Temperature: <math>23 \pm 5^\circ\text{C}</math></li> <li>○ Storage Humidity: 35% to 70%</li> </ul>                         |  |
| Safety Certifications              | <ul style="list-style-type: none"> <li>○ RoHS</li> <li>○ FCC</li> <li>○ CE</li> </ul>  |  |

|   |                         |                    |                        |                 |
|---|-------------------------|--------------------|------------------------|-----------------|
|  | DOCUMENT NO:            | CDS-LX3218-nnnXXXX | VER:                   | 1.0             |
|   | Skye II (LX) Disposable |                    |                        | EFFECTIVE DATE: |
| APPROVAL:   | ECO-254                 | Jupiter PN(s):     | See part number legend | PAGE 4 OF 4     |

| Part Number Legend – LX3218-nnnXXX-YYYZZZ   |   |   |
|---|---|---|
| <ul style="list-style-type: none"> <li>• YYY -&gt; Device Power <ul style="list-style-type: none"> <li>○ 009 for (3.5V &amp; 1.4ohm)</li> <li>○ 007 for (3.5V &amp; 1.7ohm)</li> <li>○ 016 for (3.5V &amp; 1.9ohm)</li> </ul> </li> </ul> | <ul style="list-style-type: none"> <li>• ZZZ -&gt; Fluid Inlet Dia. <ul style="list-style-type: none"> <li>○ 000 for 2.0mm</li> <li>○ 015 for 1.5mm</li> <li>○ 010 for 1.0mm</li> </ul> </li> </ul> | <ul style="list-style-type: none"> <li>• nnn -&gt; Cartridge Volume <ul style="list-style-type: none"> <li>○ 13 for 0.5ml</li> <li>○ 226 for 1.0ml</li> </ul> </li> </ul> |

*\*XXX digits denote product branding*

## Jupiter Skye II (LX) Filling Instructions

1. Insert a blunt tipped needle between the airway and reservoir. Holding upright, fill the reservoir with 0.5mL of oil.  
**\*Do NOT overfill**  
**\*Do NOT allow oil to enter the airway**
2. Immediately after filling, insert and press the mouthpiece into the device until it is fully seated.  
**\*Failure to insert the mouthpiece immediately may cause leakage. It is recommended to insert the mouthpiece in less than 2 minutes after filling, but this will change based on oil viscosity.**
3. Waiting 30 minutes for the atomizer to saturate is recommended before use.  
**\*Saturation time will change based on oil viscosity**
4. If the cartridge/device is to experience a pressure change as a result of an increase in temperature or a change in elevation, the cartridge/device must be shipped with the MP facing down, allowing for the inlets to be exposed to ambient air.

**Mouthpiece**



**Insert Filling Needle Here**



For Technical Assistance please contact us at:  
CS@JupiterResearch.com