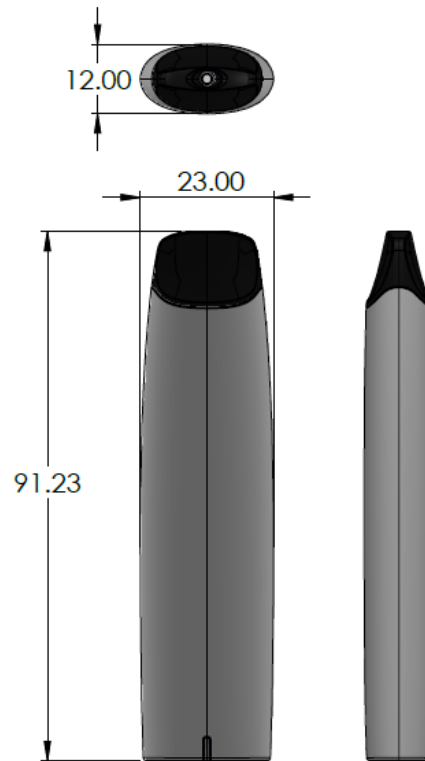
	DOCUMENT NO:	CDS-PX3035-12XXXX-YYYYZZ	VER:	1.2
	Pike; 0.5 ml			EFFECTIVE DATE:
APPROVAL:	ECO-198	Jupiter PN(s):	See part number legend	PAGE 1 OF 5




*\*All dimensions are in mm*


**Description:** All-in-one disposable vape pen, top fill POD design

**Features:**

- CCELL Technology atomizer – heating element embedded in porous ceramic
- Breath actuated
- 350 mAh Li-ion battery cell
- Opaque Engineering Thermoplastic housing
- Tamper resistant press-fit mouthpiece
- Operational viscosity ranges from 1,000 - 700,000 cPs @ 25°C [77°F]
- Available in varying powers and fluid inlet sizes to customize vapor feel and taste


	DOCUMENT NO:	CDS-PX3035-12XXXX-YYYYZZ	VER:	1.2
	Pike; 0.5 ml			EFFECTIVE DATE:
APPROVAL:	ECO-198	Jupiter PN(s):	See part number legend	PAGE 2 OF 5

Specifications		
Internal Volume	Gross	0.55 ml
	Max. fill volume	0.50 ml
Weight, empty with Mouthpiece	19.3 ± 2 grams	
Power Output	Standard power output is 7.4W; Other power options are available upon request	
Activation Time	0-10s; Other time durations available by request	
Fluid Inlet Diameter (± 0.1mm)	Standard inlet diameter is 2.0mm; 2.6mm & 1.5mm options available upon request	
Viscosity Range	1,000 - 700,000 cPs @ 25°C [77°F]	
Wetted Materials	Housing/Reservoir	Eng. Thermoplastic (proprietary)
	Mouthpiece	Eng. Thermoplastic (proprietary)
	Atomizer shell/airway	SnCo plated brass
	Heating element	Nichrome
	Wick	Ceramic
	Atomizer retaining wrap	Cellulose
	Seals	Silicone
Battery Cell Capacity	350 mAh Li-ion	
Max. Current Output	4 A	
Safety Features	Short-Circuit Protection	Output deenergizes with load < 0.5 Ω. LED lights and remains on for only 2 seconds to indicate a short.

	DOCUMENT NO:	CDS-PX3035-12XXXX-YYYYZZ	VER:	1.2
	Pike; 0.5 ml			EFFECTIVE DATE:
APPROVAL:	ECO-198	Jupiter PN(s):	See part number legend	PAGE 3 OF 5

	Over-Usage Protection	Standard cut-off time is 10sec, at which point the output shall be de-energized if actuated continuously for 10sec (+/- 20%). Custom "Dose CTI" options, such as 3sec and 5sec, are available upon request.
Low Battery Indication	LED flashes 10 X	
Branding Options	Available with MOQ	
Recommended Working Temperature and Humidity	<ul style="list-style-type: none"> <li>○ -10°C to 60°C</li> <li>○ 35 to 70% Relative Humidity (RH)</li> </ul>	
Recommended Storage Temperature and Humidity	<ul style="list-style-type: none"> <li>○ 23±5°C</li> <li>○ 35 to 70% Relative Humidity (RH)</li> </ul>	
Safety Certifications:	RoHS	
	CE	
<b>Part Number Legend – PX3035-120XXX-YYYYZZ</b>		
<ul style="list-style-type: none"> <li>● YYY -&gt; Cartridge Power <ul style="list-style-type: none"> <li>○ 000 for 7.4W</li> </ul> </li> </ul>		<ul style="list-style-type: none"> <li>● ZZZ -&gt; Fluid Inlet Dia. <ul style="list-style-type: none"> <li>○ 026 for 2.6mm</li> <li>○ 002 for 2.0mm</li> <li>○ 015 for 1.5mm</li> </ul> </li> </ul>

*\*XX digits denote product branding*

	DOCUMENT NO:	CDS-PX3035-12XXXX-YYYZZZ	VER:	1.2
	Pike; 0.5 ml			EFFECTIVE DATE:
APPROVAL:	ECO-198	Jupiter PN(s):	See part number legend	PAGE 4 OF 5

## Jupiter Pike Filling Instructions

### *Utilizing Arbor Press Machine*


1. Insert a blunt tipped needle between the airway and reservoir. Holding upright, fill each side of the reservoir with 0.25mL of oil (0.5ml total).  
**\*Do NOT overfill**  
**\*Do NOT allow oil to enter the airway**
2. Immediately after filling, insert and press the mouthpiece into the device until it is fully seated.  
**\*Failure to insert the mouthpiece immediately may cause leakage. It is recommended to insert the mouthpiece in less than 2 minutes after filling, but this will change based on oil viscosity.**
3. Waiting 30 minutes for the atomizer to saturate is recommended before use.  
**\*Saturation time will change based on oil viscosity**
4. If the cartridge/device is to experience a pressure change as a result of an increase in temperature or a change in elevation, the cartridge/device must be shipped with the MP facing down, allowing for the inlets to be exposed to ambient air.

### Mouthpiece



### Insert Filling Needle Here and Here



	DOCUMENT NO:	CDS-PX3035-12XXXX-YYYYZZ	VER:	1.2
	Pike; 0.5 ml			EFFECTIVE DATE:
APPROVAL:	ECO-198	Jupiter PN(s):	See part number legend	PAGE 5 OF 5

*Manual Mouthpiece operation*

1. Check silicon sealing ring on mouthpiece is fully seated in place.



2. Align mouthpiece and Pike reservoir horizontally. Press either side in one at a time, ie press the left side in first then press the right side in second.  
**\*Failure to insert the mouthpiece immediately may cause leakage. It is recommended to insert the mouthpiece in less than 2 minutes after filling, but this will change based on oil viscosity.**



For Technical Assistance please contact us at: [CS@JupiterResearch.com](mailto:CS@JupiterResearch.com)