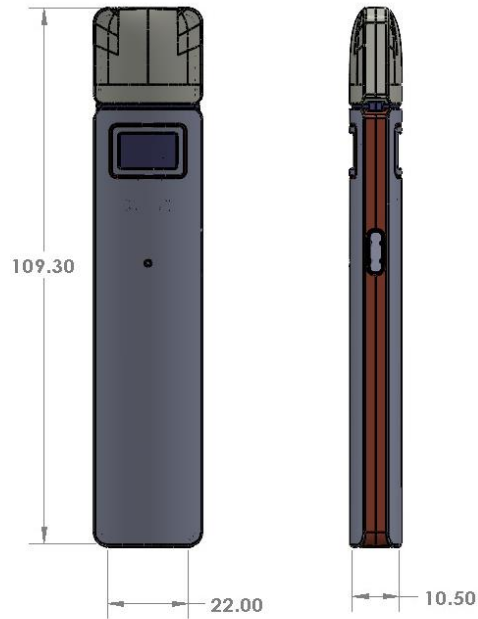

		DOCUMENT NO:	CDS- LXYY28-4nnXXXX-YYYZZZ	VER:	1.0
		Flex Disposable			
APPROVAL:	ECO-289	Jupiter PN(s):	See part number legend		PAGE 1 OF 5




Description: All-in-one disposable vape pen, top fill cartridge design

Features:

- CCELL Technology atomizer (T28) – heating element embedded in porous ceramic
- Breath actuated
- USB Type C Rechargeable battery
- 280 mAh Li-ion battery cell
- ETP reservoir housing
- Customizable window
- Dual air vent design to ensure smooth draws and mitigate clogs
- Press-fit disposable– standard mouthpiece options available
- Operational viscosity ranges from 1,000 - 700,000 cPs @ 25°C [77°F]
- Available in varying powers and fluid inlet sizes to customize vapor feel and taste

	DOCUMENT NO:	CDS- LXYY28-4nnXXXX-YYYYZZZ	VER:	1.0
	Flex Disposable			EFFECTIVE DATE:
APPROVAL:	ECO-289	Jupiter PN(s):	See part number legend	PAGE 2 OF 5

Specifications			
Internal Volume	Version	1mL	0.5mL
	Max. Fill Volume	1mL	0.5mL
Weight, empty with Mouthpiece	20 grams		
Power	3.5 Vavg without load		
Activation Time	0-10s; Other time durations available by request		
Fluid Inlet Diameter	2 inlet options, Standard diameter is 2.6mm (Refer to part number legend)		
Viscosity Range	1,000 - 700,000 cPs @ 25°C [77°F]		
Wetted Materials	Fluid Housing	ETP	
	Mouthpiece	Eng. Thermoplastic (proprietary)	
	Airway tube	Stainless steel center post	
	Heating element	NiChrome	
	Wick	Ceramic	
	Atomizer retaining wrap	Cellulose	
	Seals	Silicone	
	Battery Housing	ETP	
Battery Cell Capacity	280 mAh Li-ion		
Max. Current Output	3.0A		
Charging	USB Type C, Rechargeable		
Safety Features	Short-Circuit Protection	When the resistance of loading 0.4 +/- 0.2 ohm , power will turn off. The LED keep shining for 2 seconds then turns off.	
Low Battery Indication	$V_{CELL} < 3.3V$, output shall be de-energized, and LED shall flash 10X.		
Branding Options	Custom branding available with MOQ, including customization of window shape		



	DOCUMENT NO:	CDS- LXYY28-4nnXXXX-YYYYZZ	VER:	1.0
	Flex Disposable			EFFECTIVE DATE:
APPROVAL:	ECO-289	Jupiter PN(s):	See part number legend	PAGE 3 OF 5

Safety Certifications	<ul style="list-style-type: none"> • RoHS • CE • FCC
Operating Temperature and Humidity	<ul style="list-style-type: none"> ○ Charging Temperature: 10 °C to 45 °C ○ Working Temperature: -10 °C to 60 °C ○ Operating humidity: 35% to 70%
Storage Temperature and Humidity	<ul style="list-style-type: none"> ○ Storage Temperature: 23 ± 5 °C ○ Storage Humidity: 35% to 70%


Part Number Legend – LX3928-4nnXXXX-YYYYZZ		
<ul style="list-style-type: none"> • nn → Volume <ul style="list-style-type: none"> ○ 10 for 1.0mL ○ 05 for 0.5mL 	<ul style="list-style-type: none"> • YYY → Power <ul style="list-style-type: none"> ○ 000 for 9W (1.4ohm & 3.5V) ○ 017 for 7W (1.7ohm & 3.5V) ○ 019 for 6W (1.9ohm & 3.5V) 	<ul style="list-style-type: none"> • ZZZ → Inlet Diameter Options <ul style="list-style-type: none"> ○ 000 for φ2.6mm ○ 020 for φ2.0mm

*XXXX digits denote product branding

Part Number Legend

Part Number Legend (MP) – LX90nn-4uuXXXX		
<ul style="list-style-type: none"> • nn → Volume <ul style="list-style-type: none"> ○ 10 for 1.0mL ○ 05 for 0.5mL 	<ul style="list-style-type: none"> ○ uu → MP Shape <ul style="list-style-type: none"> ○ 07, Round ○ 05, Square 	<p>Available Shapes:  </p> <p>OEM Option: Injection molding</p>

*XXXX digits denote product branding

	DOCUMENT NO:	CDS- LXYY28-4nnXXX-YYZZZ	VER:	1.0
	Flex Disposable			EFFECTIVE DATE:
APPROVAL:	ECO-289	Jupiter PN(s):	See part number legend	PAGE 4 OF 5

Flex Filling Instructions

Failure to follow these instructions may result in leakage of poor performance. Multiple mouthpiece styles are available. All press on in the same manner.

Individual Filling Instructions

1. While the device is oriented vertically, fill the device through the needle. Do not overfill.

Caution: Do not allow fluid to enter the airway (center tube).

2. Immediately after filling, install the mouthpiece by firmly pressing it over the reservoir. The mouthpiece is installed correctly when the seal on the bottom of the mouthpiece is seated inside housing.
3. Press the mouthpiece within one minute after the liquid filling.


Caution: Failure to install the mouthpiece within 2 minutes of filling may result in leakage.

4. Devices should be allowed to stand for at least 30 minutes before use. During this time, fluid is priming the atomizer. The rate that the atomizer saturates is dependent upon the viscosity of the fluid. More viscous fluids may require more time.
5. The match between the oil and the product should be tested and verified before batch injection.



Align horizontally with reservoir

6. It is recommended to use alcohol with a concentration of less than 50% to wipe or disinfect. Isopropyl alcohol or acidic solvent is not allowed.
7. If the device is to experience a pressure change as a result of an increase in temperature or a change in elevation, the device must be shipped with the MP facing down exposed to ambient air.

	DOCUMENT NO:	CDS- LXYY28-4nnXXXX-YYYYZZZ	VER:	1.0
	Flex Disposable			EFFECTIVE DATE:
APPROVAL:	ECO-289	Jupiter PN(s):	See part number legend	PAGE 5 OF 5

Pre-loaded Filling Instructions



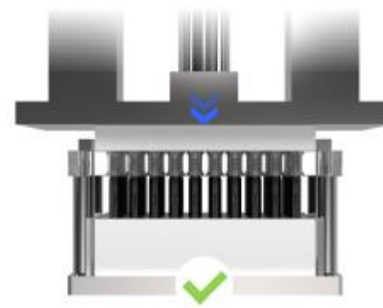
STEP 1

Place the preloaded battery tray onto the baseboard.



STEP 2

Put the deflector over the tray.



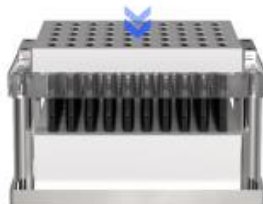
STEP 5

Press with machine to seal off the filled devices.



STEP 3

Fill oil into the reservoirs.



STEP 4

Place the preloaded mouthpiece tray onto the deflector.

For Technical Assistance please contact us at:
CS@JupiterResearch.com