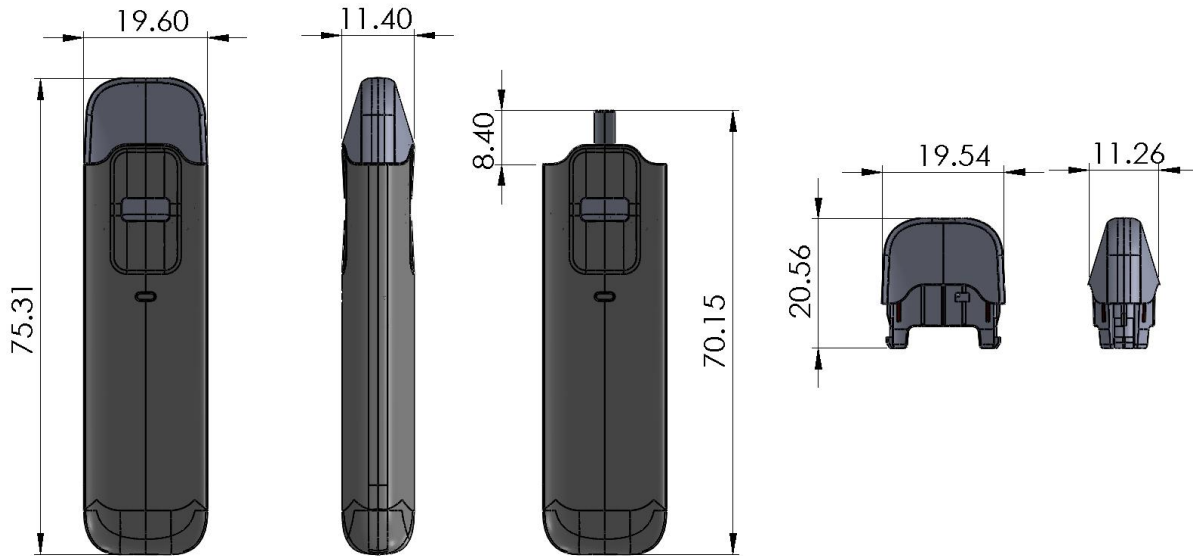
	DOCUMENT NO:	CDS-LX3025-500XXX	VER:	1.0
	Eazie			EFFECTIVE DATE:
APPROVAL:	ECO-265	Jupiter PN(s):	LX3025-500XXX	PAGE 1 OF 4




Description: Disposable vape pen, top fill cartridge design


Features:

- CCELL Technology atomizer – heating element embedded in porous ceramic
- Breath actuated
- 250 mAh Li-ion battery cell
- Tamper resistant press-fit mouthpiece
- Operational viscosity ranges from 1,000 - 700,000 cPs @ 25°C [77°F]

Specifications		
Internal Volume	Gross	0.3ml
	Max. fill volume	0.3ml
Weight, empty with Mouthpiece	13.65	
Power	Standard power is 9W (3.4V & 1.4ohm)	


	DOCUMENT NO:	CDS-LX3025-500XXXX	VER:	1.0
	Eazie			EFFECTIVE DATE: 11/4/2022
APPROVAL:	ECO-265	Jupiter PN(s):	LX3025-500XXXX	PAGE 2 OF 4

Activation Time	0-10s; Other time durations available by request	
Fluid Inlet Diameter	Standard inlet diameter is 1.8mm; Other options available by request, see part number legend	
Number of inlets	4	
Viscosity Range	1,000 - 700,000 cPs @ 25°C [77°F]	
Wetted Materials	Fluid Housing	Proprietary Engineering Thermoplastic (ETP)
	Mouthpiece	ETP
	Airway, atomizer shell	Stainless Steel (SS)
	Heating element	Nichrome
	Wick	Improved CCELL Ceramic
	Atomizer retaining wrap	Cellulose
	Seals	Silicone
	Battery Housing	ETP
Battery Cell Capacity	250 mAh Li-ion	
Max. Current Output	3 A	
Recommended closing force	20lbf (90N)	
Safety Features	Short-Circuit Protection	When the resistance of loading less than $0.4(\pm 0.2)\Omega$, power will turn off. The LED keep shining 2 seconds then turn off.
	Over-Usage Protection	When Any time suctioning lasts for more than $10(\pm 2)S$, the power will cut off, and the LED will flash two times then turn off
Low Battery Indication	LED flashes 10 X	
Branding Options	Available with MOQ	

	DOCUMENT NO:	CDS-LX3025-500XXXX	VER:	1.0
	Eazie			EFFECTIVE DATE: 11/4/2022
APPROVAL:	ECO-265	Jupiter PN(s):	LX3025-500XXXX	PAGE 3 OF 4

Operating Temperature and Humidity	<ul style="list-style-type: none"> ○ Charging Temperature: 10°C to 45°C ○ Working Temperature: 0°C to 60°C ○ Operating humidity: 35% to 70% 		
Storage Temperature and Humidity	<ul style="list-style-type: none"> ○ Storage Temperature: 23 ± 5°C ○ Storage Humidity: 35% to 70% 		
Safety Certifications	<ul style="list-style-type: none"> ○ RoHS ○ FCC ○ CE 		
Part Number Legend – LX3025-500XXXX-YYY-ZZZ			
<ul style="list-style-type: none"> • YYY -> Cartridge Power <ul style="list-style-type: none"> ○ 009 for (3.4V & 1.4ohm) 	<ul style="list-style-type: none"> • ZZZ -> Fluid Inlet Dia. <ul style="list-style-type: none"> ○ 004 for 1.2mm*2.5mm (Oval) ○ 108 for 1.8mm ○ 080 for 0.8mm 	<ul style="list-style-type: none"> • Mouthpiece – <ul style="list-style-type: none"> ○ LX9000-500XXXX 	

**XXXX digits denote product branding*

	DOCUMENT NO:	CDS-LX3025-500XXXX	VER:	1.0
	Eazie			EFFECTIVE DATE:
APPROVAL:	ECO-265	Jupiter PN(s):	LX3025-500XXXX	PAGE 4 OF 4

Jupiter Eazie Filling instructions

1. Insert a blunt tipped needle between the airway and reservoir. Holding upright, fill 0.3ml oil into space around center post, with 0.15ml each side.
***Do NOT overfill**
***Do NOT allow oil to enter airway**
2. Check if the silicon sealing ring is set in place properly.
3. Immediately after filling, place the mouthpiece on top of the body aligned with reservoir horizontally and press into position.
***Failure to insert the mouthpiece immediately may cause leakage. It is recommended to insert the mouthpiece in less than 1 minute after filling, but this will change based on oil viscosity.**
4. Check if mouthpiece is pressed in completely and properly. Let filled product sit for 30 min before using.
***Saturation time will change based on oil viscosity**

For Technical Assistance please contact us at:
CS@JupiterResearch.com

