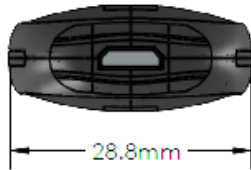
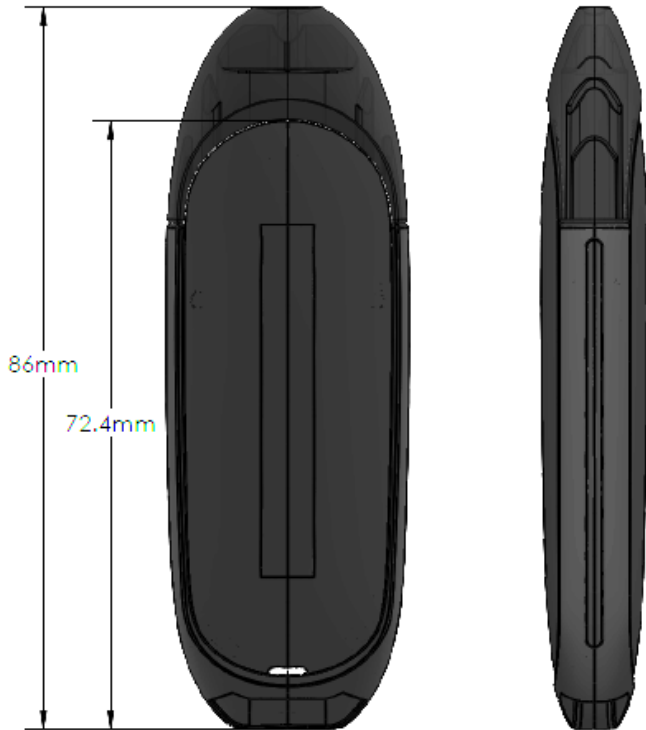
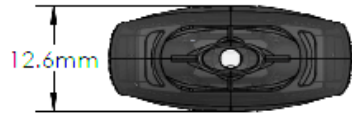




DOCUMENT NO:	CDS – PD2051-46XXX-YYY	VER:	1.2
	Dart Rechargeable Power Supply		EFFECTIVE DATE: 10/16/2018
APPROVAL:	ECO-198	Jupiter PN(s):	See part number legend
			PAGE 1 OF 2




Electrical Specifications	
Battery Cell Capacity	480 mAh
Power Output ($\pm 0.5W$)	Standard power is 9W; 6W, 7W, & 8W options available upon request
Max. Current Output	3.6 A
Resistance	0.7 – 1.5 Ω
Charging Current	500 \pm 50 mA (2.5 W)
Activation Time	0 – 10 seconds; Other time durations available by request

User Interface	
Cartridge Attachment	Magnetic
Activation	Breath Actuated
Notification	LED
Low Battery Notification	LED flashes 10 times
Charging Indication	LED is on during charging, flashes 20X and turns off when fully charged, and flashes 3X when disconnected from power.

Part Number Legend – PD2051-46XXX*-YYY
<ul style="list-style-type: none"> • YYY -> Power Output <ul style="list-style-type: none"> ○ 009 for 9W ○ 008 for 8W ○ 007 for 7W ○ 006 for 6W

**XXX digits denote product branding*

	DOCUMENT NO:	CDS – PD2051-46XXX-YYY	VER:	1.2
	Dart Rechargeable Power Supply			EFFECTIVE DATE:
APPROVAL:	ECO-198	Jupiter PN(s):	See part number legend	PAGE 2 OF 2

Safety Features

Short-circuit Protection	When load is $< 0.4 \pm 0.2\Omega$, device will not activate. LED lights for 2 seconds. The device resets when breath activation is stopped.
Over usage Protection	When an activation exceeds 10 seconds in duration, the device is deactivated, and the LED turns off. The device resets when breath activation ends.
Li-ion Battery Cells	Cells meet the requirements of the UN Manual of Tests and Criteria for Li-ion batteries; section 38.3. Jupiter power supplies are not required to be classified as Dangerous Goods when packaged properly for transport by sea, air, or ground due to their small capacity and containment within the device.
Cell Containment	Cells are enclosed in metal housings to protect the battery cell from contact with external elements that may cause damage to the cell under normal usage conditions and transportation. Cells are not accessible to the user without permanent damage to the unit.
Overcharge Protection	Charging control is on-board, not contained in a separate charging adapter. Simply connect the device to any active USB port with a standard micro-USB type B cable (provided). The onboard controller shall permit the device to remain connected to power when fully charged without the risk of damage to the battery cell. Recommended to not leave batteries unattended while

	charging, not to charge overnight and, to remove batteries from chargers when fully charged.
Operating Temperature and Humidity	<ul style="list-style-type: none"> ○ Charging Temperature: 10 °C to 45 °C ○ Working Temperature: -10 °C to 60 °C ○ Operating humidity: 35% to 70%
Storage Temperature and Humidity	<ul style="list-style-type: none"> ○ Storage Temperature: 23 ± 5 °C ○ Storage Humidity: 35% to 70%

Compatibility

The Dart Power Supply uses a Magnetic CCELL™ POD Cartridge. CCELL™ POD cartridges interface with Dart specific mouthpieces for a specialized magnetic alignment to the Dart power supply. CCELL™ POD cartridges are, therefore, only Dart compatible when being used with the device specific mouthpiece, creating a closed system. *Although other cartridges available in the vaping industry may be designated as a "POD", only CCELL™ POD cartridges (PN: PD1205-13000) with the Dart specific mouthpiece (PN: PD9000-46XXX) will be compatible with the Dart Power Supply.*

