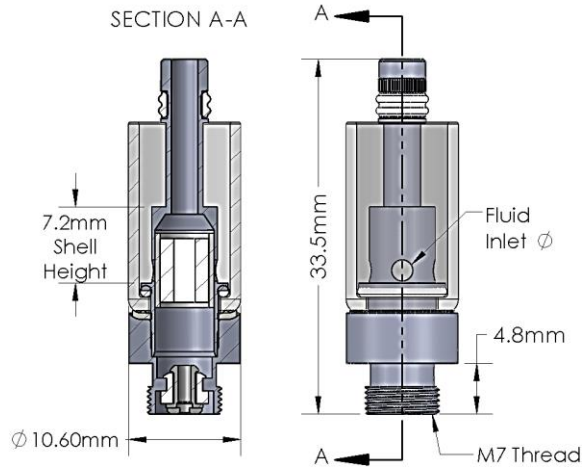
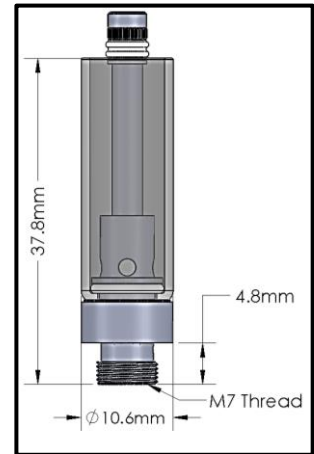
	DOCUMENT NO:	CDS-L612nn-125XXXX- YYYYZZ-SE	VER:	2.1
	Liquid 6 Press-fit Cartridge, Glass			EFFECTIVE DATE:
APPROVAL:	ECO-277	Jupiter PN(s):	See part number legend	PAGE 1 OF 4

0.5 ml VERSION



1.0 ml VERSION




**Description:** Top fill vaporizer cartridge

**Features:**

- CCELL Technology atomizer – heating element embedded in porous ceramic
- Tamper proof press-fit mouthpiece.
- 510 connection – M7 threaded connection
- Available in varying powers and fluid inlet sizes to customize vapor feel and taste.

Specifications		
Version (size)	0.5 ml	1.0 ml
Max. Fill Volume	0.50 ml	1.00 ml
Weight, empty	5.8 g	6.7 g
Power	Standard power is 9W; See part number legend for other options	
Fluid Inlet Diameter	Standard inlet diameter is 2.0mm; See part number legend for other options	

	DOCUMENT NO:	CDS-L612nn-125XXXX- YYYYZZ-SE	VER:	2.1
	Liquid 6 Press-fit Cartridge, Glass			EFFECTIVE DATE:
APPROVAL:	ECO-277	Jupiter PN(s):	See part number legend	PAGE 2 OF 4

Viscosity Range	1,000 - 700,000 cPs @ 25°C [77°F]		
Wetted Materials	Fluid Housing	Glass	
	Atomizer shell and airway tube	SnCo-plated brass	
	Heating element	Nichrome	
	Wick	Ceramic	
	Atomizer retaining wrap	Cellulose	
	Seals	Silicone	
Recommended closure force	210lbs		
Silicon base cap diameter	8mm base cap delivered assembled on cartridge. Other variations can be requested custom		
Branding Options	Available with MOQ		
<b>Part Number Legend – L612nn-125XXXX*-YYYYZZ-SE</b>			
<ul style="list-style-type: none"> <li>• nn -&gt; Cartridge Volume <ul style="list-style-type: none"> <li>○ 05 for 0.5g</li> <li>○ 10 for 1.0g</li> </ul> </li> </ul>	<ul style="list-style-type: none"> <li>• YYY -&gt; Cartridge Power <ul style="list-style-type: none"> <li>○ 009 for 9W (1.4ohm)</li> <li>○ 007 for 7W (1.7ohm)</li> <li>○ 016 for 6W (1.9ohm)</li> </ul> </li> </ul>	<ul style="list-style-type: none"> <li>• ZZZ -&gt; Fluid Inlet Dia. <ul style="list-style-type: none"> <li>○ 002 for 2.0mm</li> <li>○ 015 for 1.5mm</li> <li>○ 010 for 1.0mm</li> </ul> </li> </ul>	


\*XXXX digits denote product branding

### Liquid 6, SE Glass Cartridge Filling Instructions

Failure to follow these instructions may result in cartridge leakage or poor performance.

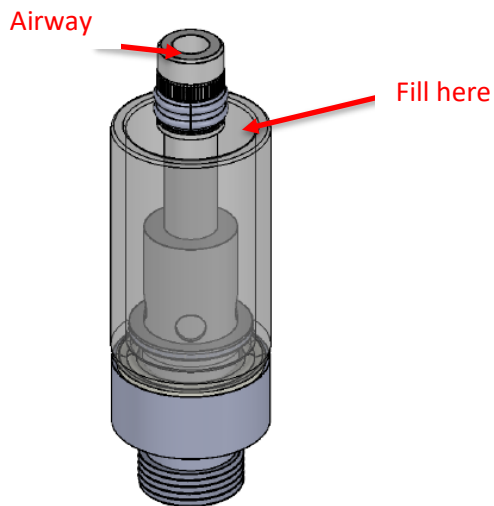
Jupiter Liquid 6, Glass Cartridges are top-fill cartridges available in both 0.5 and 1.0 ml versions. The two versions differ only in the length of the reservoir. If you are unsure which version you have, measure the length without the mouthpiece. Refer to the drawing on page 1 to determine where to measure and which cartridge you have.

Multiple mouthpiece styles are available. All press on in the same manner.

		DOCUMENT NO:	CDS-L612nn-125XXXX- YYYYZZ-SE	VER:	2.1
		Liquid 6 Press-fit Cartridge, Glass			EFFECTIVE DATE: 01/03/2023
APPROVAL:	ECO-277	Jupiter PN(s):	See part number legend		PAGE 3 OF 4

## Filling Instructions

1. Insert a blunt tipped needle (14 ga. or smaller) into the space between the airway and the outer wall of the cartridge (see the image, below). Recommended fill temperature is between 90°-130° Fahrenheit.




While the cartridge is oriented vertically with the threaded connector downward, fill the cartridge through the needle. Do not overfill.

**Caution:** Do not allow fluid to enter the airway (center tube).

2. Immediately after filling, install the mouthpiece by pressing it onto the glass cartridge with a recommended 210lbf. Do not apply more than 220lbf or else deformation of silicon seal can occur resulting in leakage.

**Caution:** Failure to install the mouthpiece within 2 minutes of filling may result in leakage.

3. Cartridges should be allowed to stand for at least 30 minutes before use. Do not flip cartridges upside down. During this time fluid is priming the atomizer. The rate that the atomizer saturates is dependent upon the viscosity of the fluid. More viscous fluids may require more time.
4. If the cartridge/device is to experience a pressure change as a result of an increase in temperature or a change in elevation, the cartridge/device must be shipped with the MP facing down, allowing for the inlets to be exposed to ambient air.
5. Storage and Operation Recommendations:

	DOCUMENT NO:	CDS-L612nn-125XXXX- YYYYZZ-SE	VER:	2.1
	Liquid 6 Press-fit Cartridge, Glass			EFFECTIVE DATE: 01/03/2023
APPROVAL:	ECO-277	Jupiter PN(s):	See part number legend	PAGE 4 OF 4

<b>Operating Temperature and Humidity</b>	<ul style="list-style-type: none"> <li>○ Charging Temperature: 10 °C to 45°C</li> <li>○ Working Temperature: -10 °C to 60 °C</li> <li>○ Operating humidity: 35% to 70%</li> </ul>
<b>Storage Temperature and Humidity</b>	<ul style="list-style-type: none"> <li>○ Storage Temperature: 23 ± 5 °C</li> <li>○ Storage Humidity: 35% to 70%</li> </ul>