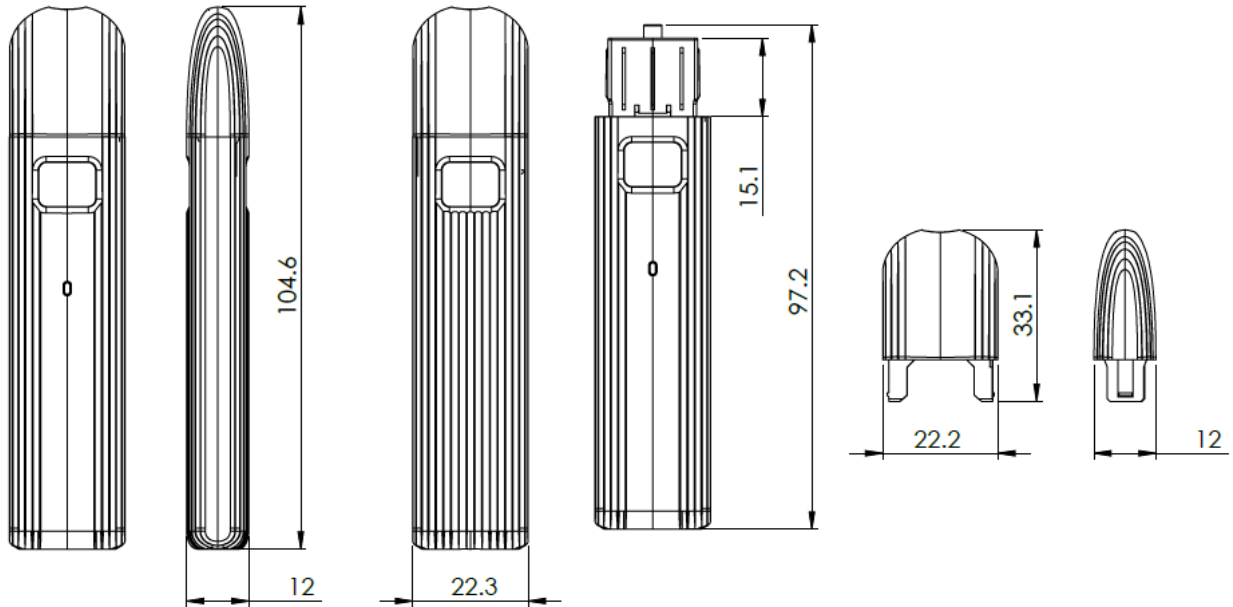
	DOCUMENT NO:	CDS-LX3935-460XXXX	VER:	1.0
	Balena			EFFECTIVE DATE: 09/09/2022
APPROVAL:	ECO-252	Jupiter PN(s):	See P/N Legend	PAGE 1 OF 4




Dimensions in mm

Description: Top fill rechargeable All-In-One(AIO) device.

Features:

- CCELL Technology atomizer – heating element embedded in porous ceramic
- Tamper proof snap-fit device-specific mouthpiece creating a closed system
- Large viewing window for oil reservoir
- Device is rechargeable using micro-USB connection
- Operational viscosity ranges from 1,000 - 700,000 cPs@ 25°C [77°F]


Specifications		
Internal Volume	Gross	2.03 ml
	Max. fill volume	2.0 ml
Weight: Empty cartridge w/MP	22.3 g	

		DOCUMENT NO:	CDS-LX3935-460XXXX	VER:	1.0
		Balena			EFFECTIVE DATE: 09/09/2022
APPROVAL:	ECO-252	Jupiter PN(s):	See P/N Legend		PAGE 2 OF 4


Atomizer Resistance	1.4 ± 0.15Ω	
Fluid Inlet Hole size	2.6 mm (Various options available by request: See part number legend)	
Number of inlet holes	2	
Recommended Viscosity Range	1,000 - 700,000 cPs @ 25°C [77°F]	
Wetted Materials	Housing	ETP
	Mouthpiece	ETP
	Atomizer shell and airway	316L Stainless Steel (SSTL)
	Heating element	Nichrome
	Wick	Ceramic
	Atomizer retaining wrap	Cotton
	Seals	Silicone
Branding Options	Available with MOQ	
Working Temperature & Humidity	Temperature Range: 0°C to 60°C [32°F to 140°F] Humidity Range: 35% - 70%	
Charging Temperature & Humidity	Temperature Range: 10°C to 45°C [50°F to 113°F] Humidity Range: 35% - 70%	
Storage Temperature & Humidity	Temperature Range: 18°C – 28°C [64.4°F – 82.4°F] Humidity Range: 35% - 70%	
Safety Certifications	<ul style="list-style-type: none"> • CE • FCC • RoHS 	

Part Number Legend – LX3935-460XXXX*-YYYZZZ	
<ul style="list-style-type: none"> • YYY -> Power (Resistance) <ul style="list-style-type: none"> ○ 009 for 9W (1.4 Ω) ○ 007 for 7W (1.7 Ω) ○ 016 for 6W (1.9 Ω) 	<ul style="list-style-type: none"> • ZZZ -> Fluid Inlet Dia. <ul style="list-style-type: none"> ○ 000 for 2.6mm ○ 020 for 2.0mm ○ 015 for 1.5mm ○ 010 for 1.0mm

*XXXX digits denote product branding

	DOCUMENT NO:	CDS-LX3935-460XXXX	VER:	1.0
	Balena			EFFECTIVE DATE:
APPROVAL:	ECO-252	Jupiter PN(s):	See P/N Legend	PAGE 3 OF 4

Features	
Activation	Breath Actuated
Notification U.I.	LED
Low Power Protection	When the battery level is low (less than 3.3V \pm 0.1V), the LED flashes 10 times and turns-off.
Short-circuit Protection	When the resistance of loading less than 0.4 Ω (\pm 0.2), power will turn off. The LED shines for 2s and turns-off.
Over-vaping indication	Any activation greater than 10s (\pm 2s), the power will cut off and the LED flashes 2 times and turns-off.
Li-ion Battery Cells	Jupiter power supplies are not required to be classified as Dangerous Goods when packaged properly for transport by sea, air, or ground due to their small capacity and containment within the device.
Cell Containment	Cells are enclosed in rigid plastic housings to protect the battery cell from contact with external elements that may cause damage to the cell under normal usage conditions and transportation. Cells are not accessible to the user without permanent damage to the unit.

		DOCUMENT NO:	CDS-LX3935-460XXXX	VER:	1.0
		Balena			EFFECTIVE DATE: 09/09/2022
APPROVAL:	ECO-252	Jupiter PN(s):	See P/N Legend	PAGE 4 OF 4	

Balena Device Filling and Assembly Instructions

1. Insert a filling needle into the space between the airway and the outer wall of the reservoir. Hold upright and fill both sides next to airway with 2.0ml of oil (1ml each side).

Note: The syringe and needle may need to be warmed to improve fluid flow.

Caution: Do not overfill above the air hole as it may cause short circuit.

Caution: Do not allow fluid to enter the airway (center tube).

2. Check if the silicon sealing ring on the mouthpiece is set in place
3. Place the mouthpiece on top, aligned horizontally with the reservoir and press into position.

Caution: failure to insert the mouthpiece within 1 minute may cause leakage.

4. Check if the mouth piece is pressed in completely and properly.

Note: Let filled Balena sit for at least 30 minutes before using.

