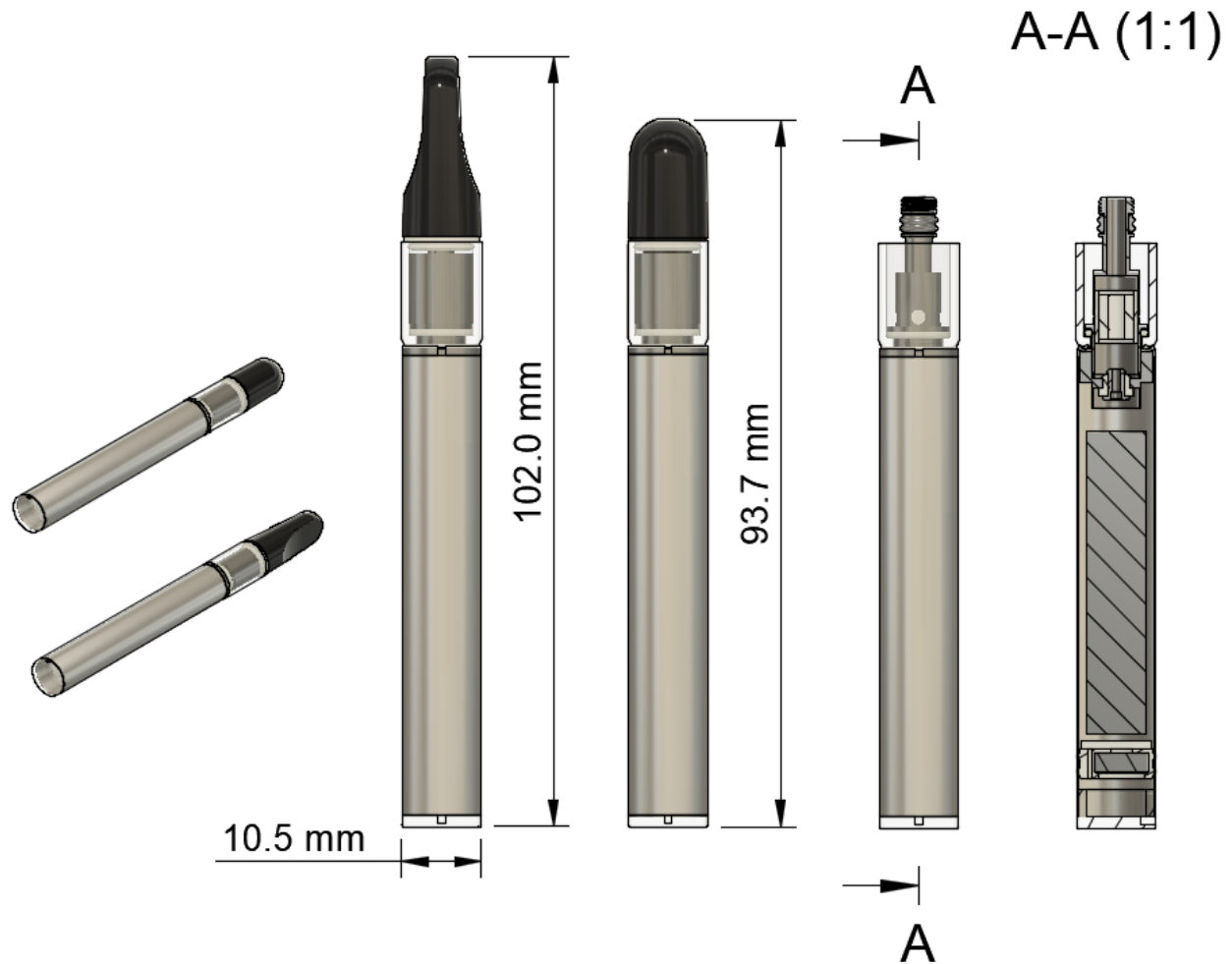

	DOCUMENT NO:	CDS-LX3240-13XX	VER:	1.2
	Liquid eXpendable (LXG300); 0.30 ml			EFFECTIVE DATE: 07/16/2018
APPROVAL:	ECO-128	Jupiter PN(s):	LX3240-13XX	PAGE 1 OF 3




Description: All-in-one disposable vape pen, top fill cartridge design

Features:

- CCELL Technology atomizer – heating element embedded in porous ceramic
- Breath actuated
- 200 mAh Li-ion battery cell
- Glass cartridge housing
- Screwed mouthpiece – two versions; tapered (left) and bullet (right)
- Operational viscosity range up to 110,000 cPs

	DOCUMENT NO:	CDS-LX3240-13XX	VER:	1.2
	Liquid eXpendable (LXG300); 0.30 ml			EFFECTIVE DATE:
APPROVAL:	ECO-128	Jupiter PN(s):	LX3240-13XX	PAGE 2 OF 3

Specifications		
Internal Volume	Gross	0.35 ml
	Max. fill volume	0.30 ml
Weight, empty with Mouthpiece	15.1 ± 0.4 grams	
Atomizer Resistance	1.35 ± 0.15 Ω	
Fluid Inlet Hole Diameter	2.0 mm	
Maximum Viscosity	110,000 cPs	
Wetted Materials	Housing	Glass
	Mouthpiece	Eng. Thermoplastic (proprietary) Other options available
	Atomizer shell and base	SnCo-plated brass
	Airway tube	SnCo-plated brass
	Heating element	Nichrome
	Wick	Ceramic
	Atomizer retaining wrap	Cellulose
	Seals	Silicone
	Battery Housing	SS
Battery Cell Capacity	200 mAh Li-ion	
Max. Current Output	3 A	
Safety Features	Short-Circuit Protection	Output deenergizes with load ≤0.8 Ω. LED lights and remains on for 2 – 3 seconds to indicate a short.
	Over-Usage Protection	Output is deenergized after 10 seconds (±20%) of continuous activation. LED flashes twice.
Low Battery Indication	LED flashes 10 X	
Branding Options	Available with MOQ	

	DOCUMENT NO:	CDS-LX3240-13XX	VER:	1.2
	Liquid eXpendable (LXG300); 0.30 ml			EFFECTIVE DATE: 07/16/2018
APPROVAL:	ECO-128	Jupiter PN(s):	LX3240-13XX	PAGE 3 OF 3

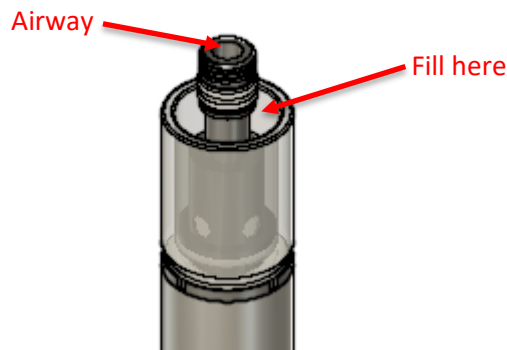
LX Glass Cartridge Filling Instructions

Failure to follow these instructions may result in cartridge leakage of poor performance.

Multiple mouthpiece styles are available. All screw on in the same manner.

Filling Instructions

1. Insert a blunt tipped needle (14 ga. or smaller) into the space between the airway and the outer wall of the cartridge (see the image, below).



While the cartridge is oriented vertically with the threaded connector downward, fill the cartridge through the needle. Do not overfill.

Caution: Do not allow fluid to enter the airway (center tube).

2. Immediately after filling, install the mouthpiece and twist clockwise to tighten. Do not overtighten, the mouthpiece is installed correctly when the seal on the bottom of the mouthpiece is seated inside the glass housing.

Caution: Failure to install the mouthpiece within 2 minutes of filling may result in leakage.

3. Cartridges should be allowed to stand for at least 30 minutes before use. During this time, fluid is priming the atomizer. The rate that the atomizer saturates is dependent upon the viscosity of the fluid. More viscous fluids may require more time.