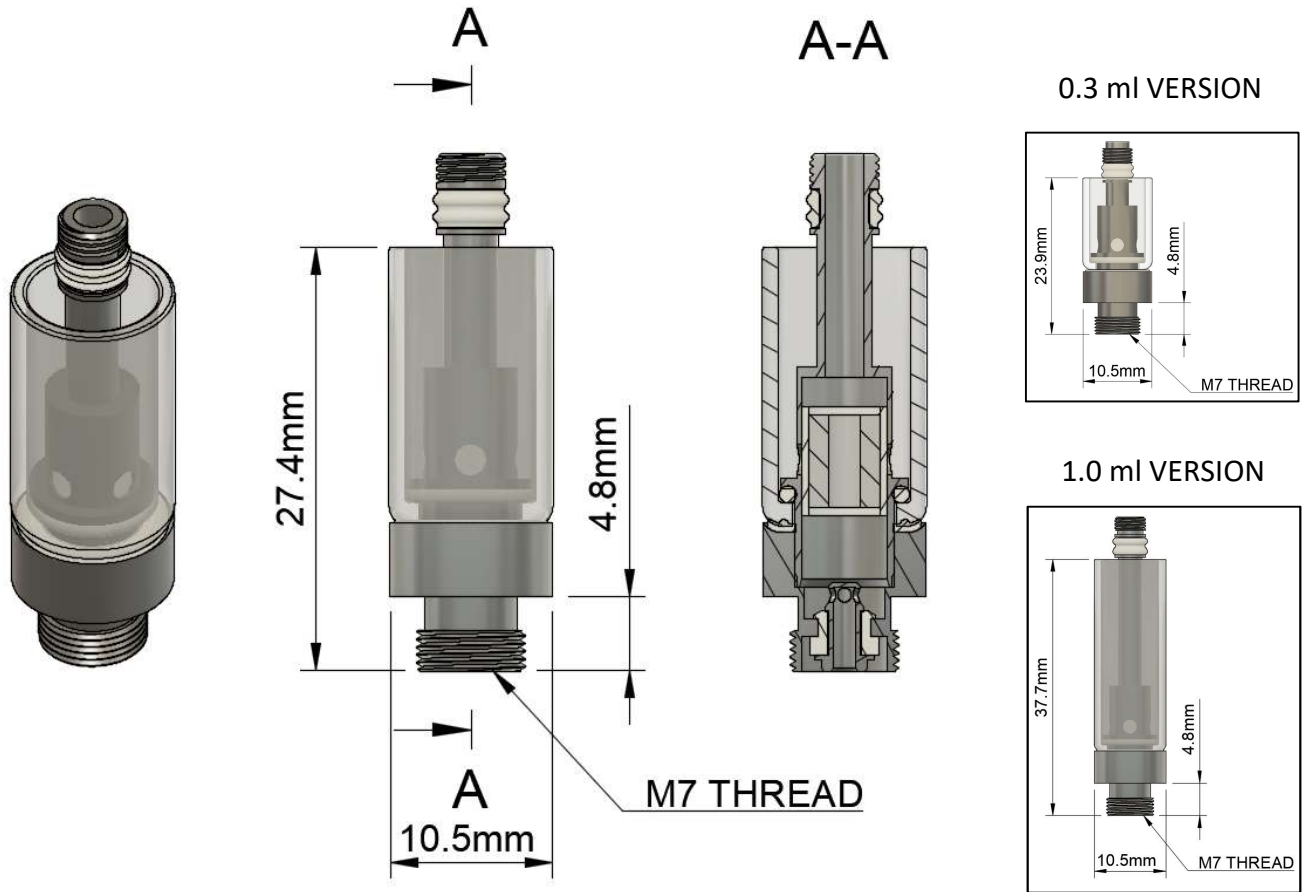

	DOCUMENT NO:	CDS-L612nn-50XX	VER:	1.3
	Liquid 6 Cartridge, Glass			EFFECTIVE DATE: 03/08/2017
APPROVAL:	ECO-123	Jupiter PN(s):	0.3 ml: L61203-50XX 0.5 ml: L61205-50XX 1.0 ml L61210-50XX	PAGE 1 OF 3




Description: Top fill vaporizer cartridge

Features:

- CCELL Technology atomizer – heating element embedded in porous ceramic
- Screwed mouthpiece
- Mouthpieces available in PC, plated brass, or porcelain in white or black
- 510 connection – M7 threaded connection
- Operational viscosity range up to 110,000 cPs

		DOCUMENT NO:	CDS-L612nn-50XX	VER:	1.3
		Liquid 6 Cartridge, Glass			EFFECTIVE DATE: 03/08/2017
APPROVAL:	ECO-123	Jupiter PN(s):	0.3 ml: L61203-50XX 0.5 ml: L61205-50XX 1.0 ml L61210-50XX		PAGE 2 OF 3

Specifications			
Version (size)	0.3 ml	0.5 ml	1.0 ml
Internal Volume (Gross)	0.35 ml	0.55 ml	1.05 ml
Max. Fill Volume	0.30 ml	0.50 ml	1.00 ml
Weight, empty	5.4 ± 0.1 g	5.7 ± 0.1 g	6.7 ± 0.1 g
Atomizer Resistance			
	1.35 ± 0.15 Ω		
Fluid Inlet Hole Diameter			
	2.0 mm		
Maximum Viscosity			
	110,000 cP		
Wetted Materials	Housing	Glass	
	Atomizer shell and base	SnCo-plated brass	
	Airway tube	SnCo-plated brass	
	Heating element	Nichrome	
	Wick	Ceramic	
	Atomizer retaining wrap	Cellulose	
	Seals	Silicone	
Branding Options			
	Available with MOQ		

		DOCUMENT NO:	CDS-L612nn-50XX	VER:	1.3
		Liquid 6 Cartridge, Glass			EFFECTIVE DATE: 03/08/2017
APPROVAL:	ECO-123	Jupiter PN(s):	0.3 ml: L61203-50XX 0.5 ml: L61205-50XX 1.0 ml L61210-50XX	PAGE 3 OF 3	

Liquid 6, Glass Cartridge Filling Instructions

Failure to follow these instructions may result in cartridge leakage or poor performance.

Jupiter Liquid 6, Glass Cartridges are top-fill cartridges available in both 0.5 and 1.0 ml versions. The two versions differ only in the length of the reservoir. If you are unsure which version you have, measure the length without the mouthpiece. Refer to the drawing on page 1 to determine where to measure and which cartridge you have.

Multiple mouthpiece styles are available. All screw on in the same manner.

Filling Instructions

1. Insert a blunt tipped needle (14 ga. or smaller) into the space between the airway and the outer wall of the cartridge (see the image, below).



While the cartridge is oriented vertically with the threaded connector downward, fill the cartridge through the needle. Do not overfill.

Caution: Do not allow fluid to enter the airway (center tube).

2. Immediately after filling, install the mouthpiece and twist clockwise to tighten. Do not overtighten, the mouthpiece is installed correctly when the seal on the bottom of the mouthpiece is seated inside the glass housing.

Caution: Failure to install the mouthpiece within 2 minutes of filling may result in leakage.

3. Cartridges should be allowed to stand for at least 30 minutes before use. During this time, fluid is priming the atomizer. The rate that the atomizer saturates is dependent upon the viscosity of the fluid. More viscous fluids may require more time.